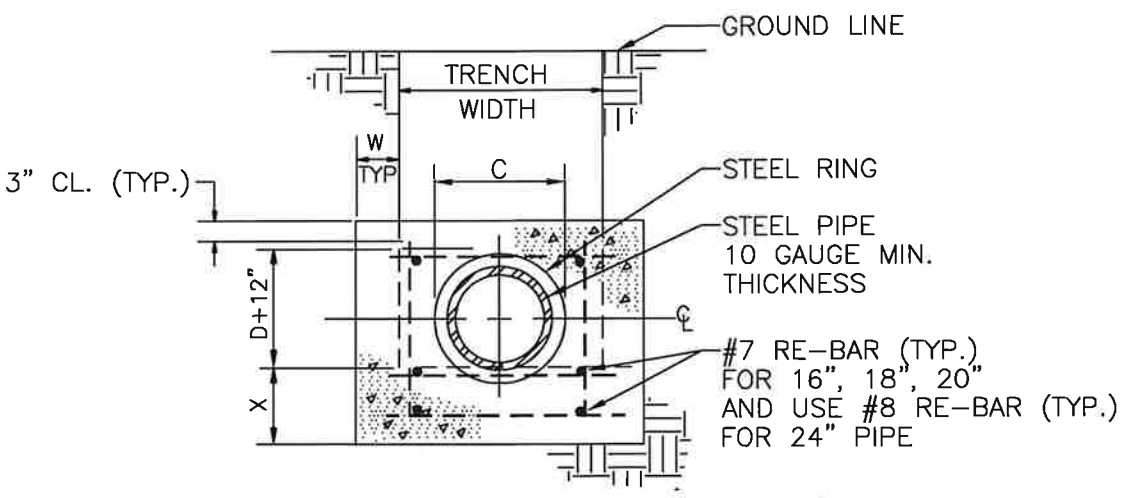


PLAN VIEW
NTS



SECTION A-A

VALVE INSTALLATION ON EXISTING STEEL PIPE (CCP)

CITY OF MONTEREY PARK
PUBLIC WORKS DEPARTMENT - WATER DIVISION

STANDARD NO.

W-605

DRAWN	BY	DATE
AM	AM	10/02/24
REVISED	DZ	10/02/24
CHANGED	XX	10/02/24

APPROVED WATER UTILITY MANAGER	DATE	12/10/24
APPROVED CITY ENGINEER	DATE	12/11/24

SHEET 1 OF 2

ANCHOR BLOCK AND STEEL RING DIMENSIONS

		STATIC WATER PRESSURE – P.S.I.					
		100	110	120	130	140	150
16"	VARIABLE						
	W(INCH)	18	18	18	18	18	18
	X(INCH)	15	15	18	21	25	30
	C(INCH)	23 1/2	23 1/2	23 1/2	23 1/2	23 1/2	23 1/2
18"	W(INCH)	18	18	18	18	18	20
	X(INCH)	21	24	27	30	34	36
	B(INCH)	1 9/16	1 9/16	1 9/16	1 9/16	1 9/16	1 9/16
	C(INCH)	25	25	25	25	25	25
20"	W(INCH)	18	18	18	24	24	26
	X(INCH)	27	30	35	33	34	36
	B(INCH)	1 11/16	1 11/16	1 11/16	1 11/16	1 11/16	1 11/16
	C(INCH)	27 1/2	27 1/2	27 1/2	27 1/2	27 1/2	27 1/2
24"	W(INCH)	27	30	30	32	35	38
	X(INCH)	27	30	34	37	37	38
	B(INCH)	1 7/8	1 7/8	1 7/8	1 7/8	1 7/8	1 7/8
	C(INCH)	32	32	32	32	34	36

NOTES:

1. REMOVE CEMENT MOTAR COATING FROM EXISTING PIPE TO FACILITATE WELDING OF BUTT STRAP TO EXISTING PIPE.
2. STEEL PIPE CEMENT MOTAR LINING SHALL BE 1/2" THICK AND CEMENT MOTAR COATING SHALL BE 3/4" THICK.
3. ALL EXPOSED METAL SURFACES SHALL BE COATED WITH "BITUMASTIC" OR APPROVAL EQUAL.
4. CONCRETE FOR ANCHOR BLOCK SHALL BE CLASS 520-C-2500.
5. CONCRETE IN AREAS "W" AND "X" SHALL BE POURED AGAINST UNDISTURBED EARTH.
6. AREA REQUIREMENTS ARE BASED UPON 1 1/2 TIMES STATIC WATER PRESSURE AND SOIL BEARING PRESSURE OF 2000 LBS./SQ. FT.

VALVE INSTALLATION ON EXISTING STEEL PIPE (CCP)

CITY OF MONTEREY PARK

PUBLIC WORKS DEPARTMENT – WATER DIVISION

STANDARD NO.

W-605

DRAWN	BY	DATE	APPROVED WATER UTILITY MANAGER 	DATE	12/10/24
REVISED	DZ	10/02/24			
CHANGED	XX	10/02/24			

APPROVED
WATER UTILITY MANAGER

DATE

12/10/24

APPROVED
CITY ENGINEER

DATE

12/11/24

SHEET 2 OF 2