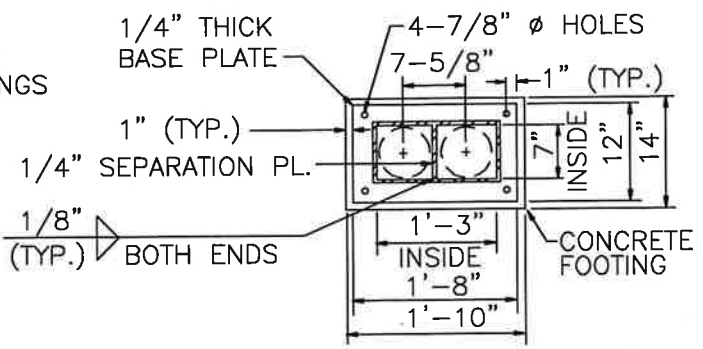


VENT CAP



PLAN-VENT BASE SECTION A-A

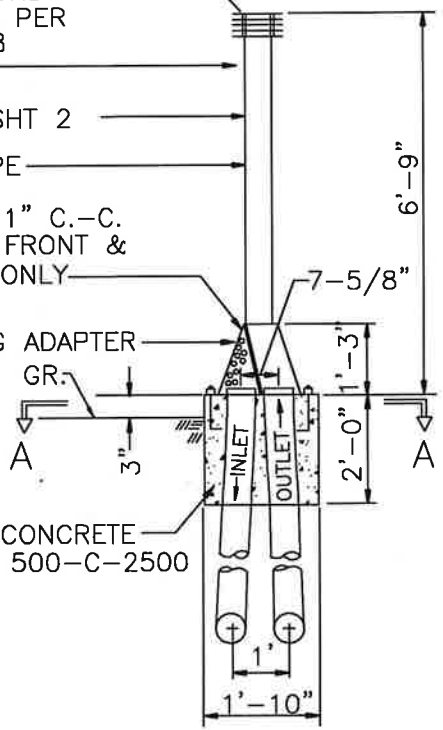
ALL EXTERIOR SURFACE METAL ABOVE GROUND TO BE PAINTED AS PER A.W.W.A. STD. C218 3 COAT SYSTEM

SEE NOTE 4 ON SHT 2

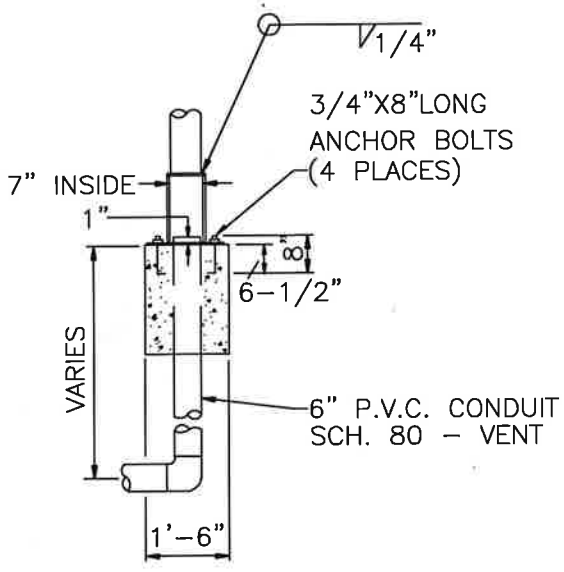
6" STD. STEEL PIPE

RANDOM SPACING 1" C.-C. 5/8" Ø HOLES ON FRONT & REAR-INLET SIDE ONLY

1/4" PL. HOUSING ADAPTER



FRONT VIEW



SIDE VIEW

DUAL INLET-OUTLET VENT STACK TYPE I

SEE NOTES ON SHT. 2.

AIR VENT FOR U.G. STRUCTURES

CITY OF MONTEREY PARK

PUBLIC WORKS DEPARTMENT - WATER DIVISION

STANDARD NO.

W-601

DRAWN	BY	DATE
	AM	10/02/24
REVISED	XX	XX/XX/XX
CHANGED	XX	XX/XX/XX

APPROVED WATER UTILITY MANAGER

[Signature]

DATE 12/10/24

APPROVED CITY ENGINEER

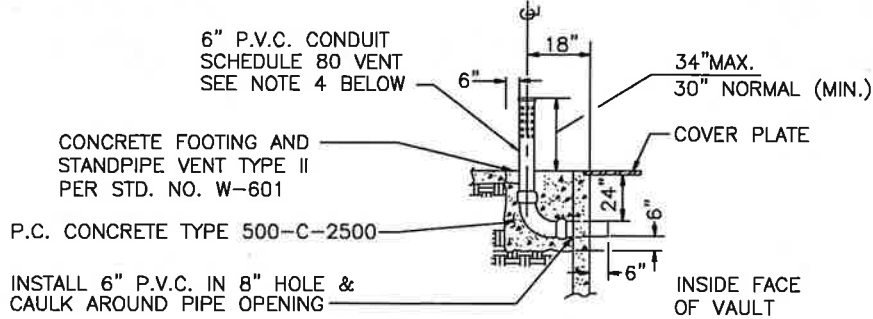
[Signature]

DATE 12/11/24

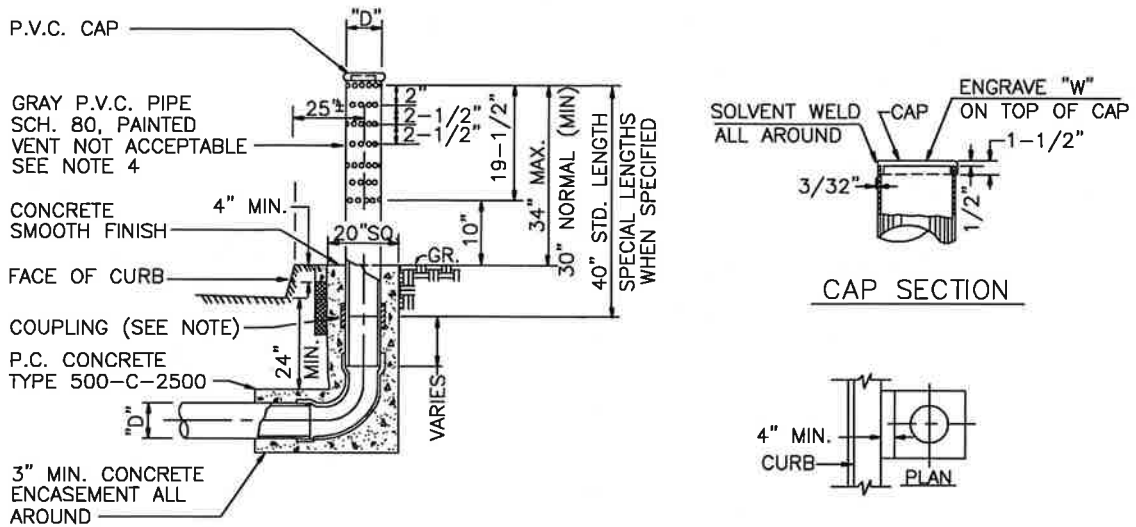
SHEET 1 OF 2

TYPE II VENT HOLE SPECIFICATION

STANDPIPE DIA. - "D"	SPACING DESCRIPTION
6"	8 ROWS OF 9 EQUALLY SPACED 1" HOLES (72 HOLES TOTAL)
8"	8 ROWS OF 12 EQUALLY SPACED 1" HOLES (96 HOLES TOTAL)
10"	8 ROWS OF 17 EQUALLY SPACED 1" HOLES (136 HOLES TOTAL)
12"	8 ROWS OF 20 EQUALLY SPACED 1" HOLES (160 HOLES TOTAL)



AIR VENT TYPE III



INLET OR OUTLET STANDPIPE VENT TYPE II

NOTES:

1. ALL JOINTS ARE TO BE SEALED AGAINST WATER INFILTRATION IN CONFORMANCE WITH CONDUIT MANUFACTURERS RECOMMENDATIONS AND ARE TO BE MADE IN THE PRESENCE OF WATER INSPECTOR (TYPE I, II, III).
2. WHERE CURBS & GRADES ARE NOT ESTABLISHED, BOTTOM HOLES OF VENTS MUST BE 10" MINIMUM ABOVE SURFACE OF THE GROUND (TYPE II ONLY).
3. GRIND SMOOTH ALL WELDS & SHARP EDGES (TYPE I ONLY).

AIR VENT FOR U.G. STRUCTURES

CITY OF MONTEREY PARK

PUBLIC WORKS DEPARTMENT - WATER DIVISION

STANDARD NO.

W-601

DRAWN	BY AM	DATE 10/02/24	APPROVED WATER UTILITY MANAGER	DATE 12/14/24
REVISED	XX	XX/XX/XX	APPROVED CITY ENGINEER	DATE 12/14/24
CHANGED	XX	XX/XX/XX		

SHEET 2 OF 2