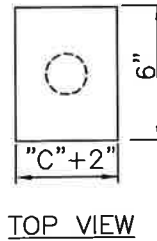
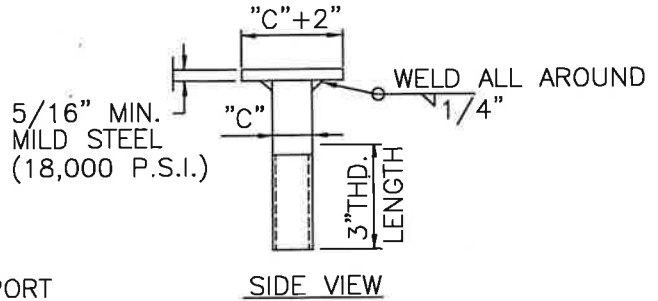
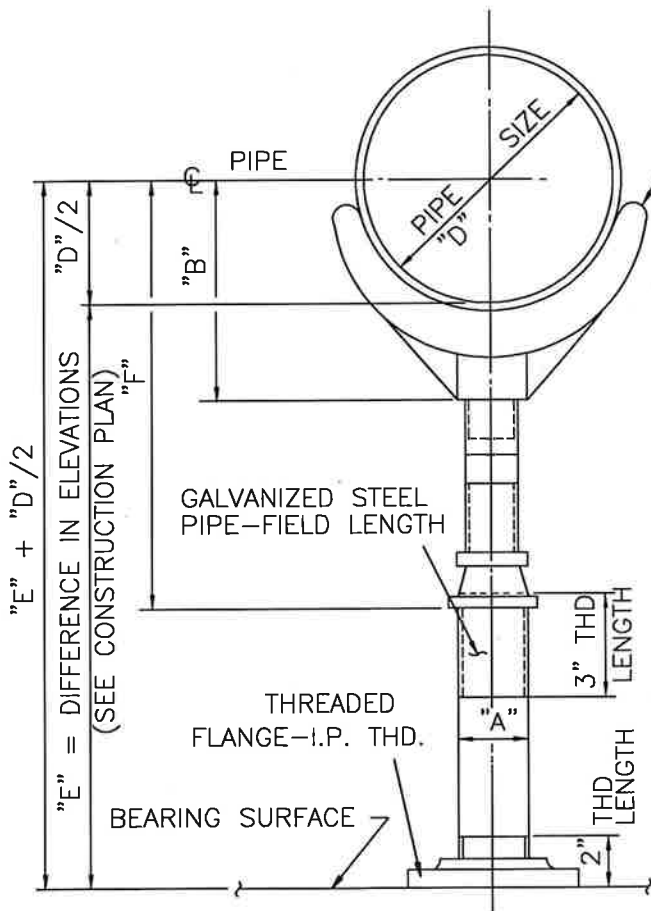


FLAT SUPPORT FOR FIRE LINES & METERS



ADJUSTABLE PIPE SADDLE SUPPORT
GRINNELL FIG. 264



D	A	B	C	F	
				MIN.	MAX.
2 1/2"	2 1/2"	3 1/2"	1 1/2"	8"	13"
3	2 1/2	3 3/4	1 1/2	8 1/4	13 1/4
4	3	4 1/4	2 1/2	9 1/4	14
6	3	5 1/2	2 1/2	10 1/2	15 1/4
8	3	6 7/8	2 1/2	11 3/4	16 1/2
10	3	8 1/2	2 1/2	13 1/2	18 1/4
12	3	9 15/16	2 1/2	15	19 3/4
14	4	10 15/16	3	16 1/4	20 3/4
16	4	12 3/8	3	17 3/4	22 1/4
18	6	13 7/8	3 1/2	19 1/2	24
20	6	15 3/8	3 1/2	21	25 1/2
24	6	17 15/16	4	23 3/4	28 1/4
30	6	21 5/16	4	27	31 1/2
36	6	24 1/2	4	30 1/4	34 3/4

NOTES:

THE FLAT SUPPORT SHOWN IN THIS DETAIL SHALL BE USED FOR ALL METER ASSEMBLIES AND FIRE LINES IN LIEU OF THE SADDLE SUPPORT.

ADJUSTABLE PIPE SUPPORT

CITY OF MONTEREY PARK

PUBLIC WORKS DEPARTMENT-WATER DIVISION

STANDARD NO.

W-270

DRAWN	BY	DATE
	AM	10/02/24
REVISED	DZ	10/02/24
CHANGED	XX	XX/XX/XX

APPROVED
WATER UTILITY MANAGER

[Signature]

DATE

12/10/24

APPROVED
CITY ENGINEER

DATE

12/11/24

SHEET 1 OF 1