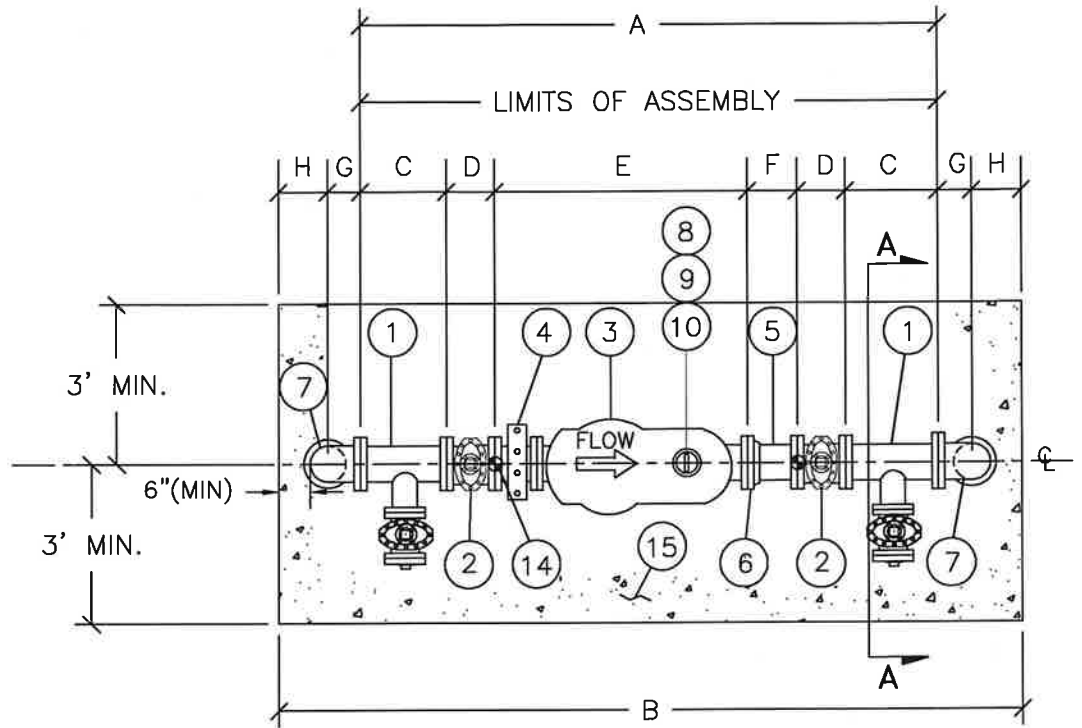
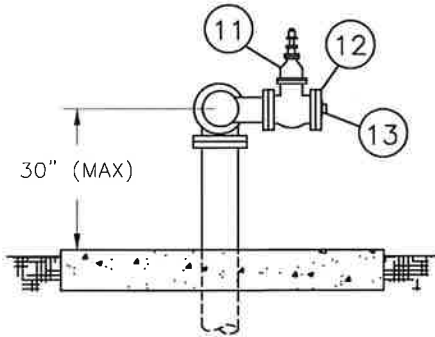


METER SIZE	PIPE SIZE	TEST PORT SIZE	DIMENSION								MAXIMUM RATED FLOW (GPM)
			A	B	C	D	E	F	G	H	
3"	3"	2"	5'-11"	8'-6"	11"	8"	23"	10"	6.5"	9"	350
4"	4"	2"	6'-9.5"	9'-4"	13"	9"	27.5"	10"	6.5"	9"	700
6"	6"	2"	8'-0"	11'-0"	16"	10.5"	33"	10"	8"	10"	1400



PLAN VIEW



SECTION VIEW A-A  
(2 TYP.)

3", 4", AND 6" METER ASSEMBLY - ABOVE GROUND

**CITY OF MONTEREY PARK**

PUBLIC WORKS DEPARTMENT - WATER DIVISION

STANDARD NO.

**W-230A**

	BY	DATE
DRAWN	AM	10/02/24
REVISED	DZ	10/02/24
CHANGED	XX	XX/XX/XX

APPROVED  
WATER UTILITY MANAGER

*[Signature]*  
*[Signature]*

DATE 12/10/24  
DATE 12/11/24

APPROVED  
CITY ENGINEER

SHEET 1 OF 2

LIST OF MATERIAL

ITEM	DESCRIPTION
1	TEE (PIPE SIZE BY 2" OUTLET), FLANGED
2	GATE VALVE (PIPE SIZE), RESILIENT WEDGE, FLANGED, N.R.S. W/ HAND WHEEL PER SECTION 2-05.01
3	METER (SEE SECTION 4-01)
4	STRAINER
5	FLG. X P.E. SPOOL
6	FLANGE ADAPTER PER SECTION 2-09.04
7	90° BENDS, FLANGED (2TYP.)
8	2" BRASS NIPPLE, HEX
9	2" BALL VALVE, FULL OPENING, BRASS, IPS THREAD
10	2" BRASS PLUG, IPS THREAD
11	REDUCER, FLANGED
12	COMPANION FLANGE WITH 2" IPS THREAD
13	FLAT PIPE SUPPORT (2 TYP.) PER STD. NO. W-270

NOTES:

1. METERS SHALL BE IN ACCORDANCE WITH SECTION 4-01.
2. SEE SECTION 2-05.01.1 FOR APPROVED GATE VALVE MANUFACTURERS.
3. ALL METERS SHALL READ IN CUBIC FEET
4. ALL PIPE SHALL BE DUCTILE IRON PER SECTION 2-01.
5. ALL PIPE FITTINGS AND APPURTENANCES (GASKETS, NUTS, BOLTS, ADAPTER) SHALL BE PER SECTION 2-08.
6. THE COMPLETED ASSEMBLY SHALL BE PAINTED PER SECTION 2-14.
7. A BACKFLOW PREVENTION DEVICE SHALL BE INSTALLED IN ACCORDANCE WITH SECTION 5-01.
8. AN EASEMENT DEDICATED TO THE CITY IS REQUIRED. SEE STD. NO. W-203 SHEET 1, FOR REQUIRED LIMITS OF EASEMENT..

3", 4", AND 6" METER ASSEMBLY - ABOVE GROUND

**CITY OF MONTEREY PARK**

PUBLIC WORKS DEPARTMENT - WATER DIVISION

STANDARD NO.

**W-230A**

DRAWN	BY AM	DATE 10/02/24	APPROVED WATER UTILITY MANAGER		DATE 12/10/24
REVISED	DZ	10/02/24			
CHANGED	XX	XX/XX/XX	APPROVED CITY ENGINEER		DATE 12/11/24

SHEET 2 OF 2