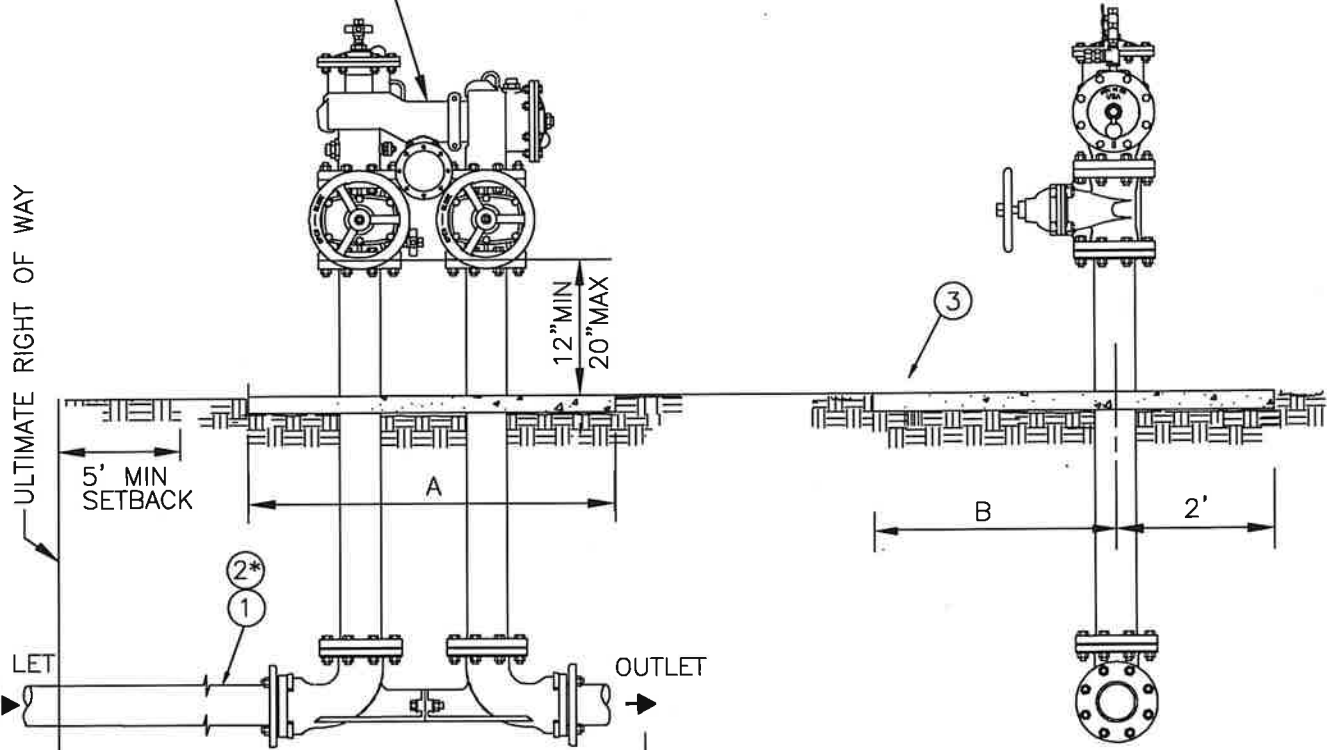


COMPACT BACKFLOW ASSEMBLY PREVENTION



FRONT ELEVATION VIEW

SIDE ELEVATION VIEW

PRIVATE SYSTEM (PER WATER SERVICES STDS.) PRIVATE SYSTEM (PER BLDG. DIV. STDS)

MAINTENANCE BY PROPERTY OWNER

CITY OF MONTEREY PARK SYSTEM RESPONSIBILITY (SEE STD. NO. W-201)

* FOR PVC OR PVCO WATER MAIN CONSTRUCTION ONLY - SEE ITEM 2* AND NOTES 8 AND 9 ON SHEET 2.

COMPACT BACKFLOW PREVENTION ASSEMBLY FOR LARGE SERVICES - EXCLUDING FIRE LINES

CITY OF MONTEREY PARK
PUBLIC WORKS DEPARTMENT - WATER DIVISION

STANDARD NO.
W-222

DRAWN	BY	DATE
AM	AM	10/02/24
REVISED	DZ	10/02/24
CHANGED	XX	XX/XX/XX

APPROVED WATER UTILITY MANAGER	<i>[Signature]</i>	DATE	12/10/24
APPROVED CITY ENGINEER	<i>[Signature]</i>	DATE	12/11/24

SHEET 1 OF 2

LIST OF MATERIAL

ITEM	DESCRIPTION
1	PIPE SIZE X FIELD LENGTH D.I. SPOOL, P.E.. X P.E. (TYP).
2*	IN LIEU OF ITEM 1, PIPE SHALL BE AWWA C900 PVC OR AWWA C909 PVCO PIPE, CLASS 305, P.E.XP.E. (SEE NOTES 8 AND 9)
3	CONCRETE PAD 4" THICK, SIZE AS INDICATED HEREIN; CLASS 520-C-2500 CONCRETE

BACKFLOW DEVICE SIZE	A	B
2 1/2"	6.0'	3.0'
3"	6.5'	3.5'
4"	6.5'	4.0'
6"	7.0'	4.5'
8"	7.5'	5.0'
10"	8.0'	6.0'

NOTES:

1. THE BACKFLOW PREVENTION ASSEMBLY SHALL BE APPROVED BY THE UTILITY DIVISION AND WILL BE PER SECTION 5-01. THE DEVICE SHALL BE LEAD FREE FOR DOMESTIC SERVICE.
2. LOCATION AND INSTALLATION SHALL BE PER PLANS APPROVED BY THE UTILITY
3. ALL PIPE SHALL BE DUCTILE IRON PER SECTION 2-01
4. ALL PIPE FITTINGS AND APPURTENANCES (GASKETS, NUTS, BOLTS, RESTRAINTS) SHALL BE PER SECTIONS 2-08 AND 2-12.
5. THE COMPLETED ASSEMBLY SHALL BE PAINTED PER SECTION 2-14
6. NO CONNECTIONS SHALL BE MADE BETWEEN METER AND BACKFLOW PREVENTER
7. PVC OR PVCO WATER CONSTRUCTION SHALL BE PRE-APPROVED BY THE UTILITY PER SECTION 2-02.
8. MECHANICAL JOINT RESTRAINT FOR PVC OR PVCO PIPE SHALL BE PER SECTION 2-12.01.
9. THE ULTIMATE RIGHT OF WAY SHALL BE DETERMINED BY PUBLIC WORKS - ENGINEERING

COMPACT BACKFLOW PREVENTION ASSEMBLY FOR LARGE SERVICES - EXCLUDING FIRE LINES

<h2 style="margin: 0;">CITY OF MONTEREY PARK</h2> <p style="margin: 0;">PUBLIC WORKS DEPARTMENT-WATER DIVISION</p>				STANDARD NO. <h1 style="margin: 0;">W-222</h1>
DRAWN	BY	DATE	APPROVED	DATE <u>12/10/24</u>
	AM	10/02/24	WATER UTILITY MANAGER	
REVISED	DZ	10/02/24		
CHANGED	XX	XX/XX/XX	APPROVED	DATE <u>12/11/24</u>
			CITY ENGINEER	