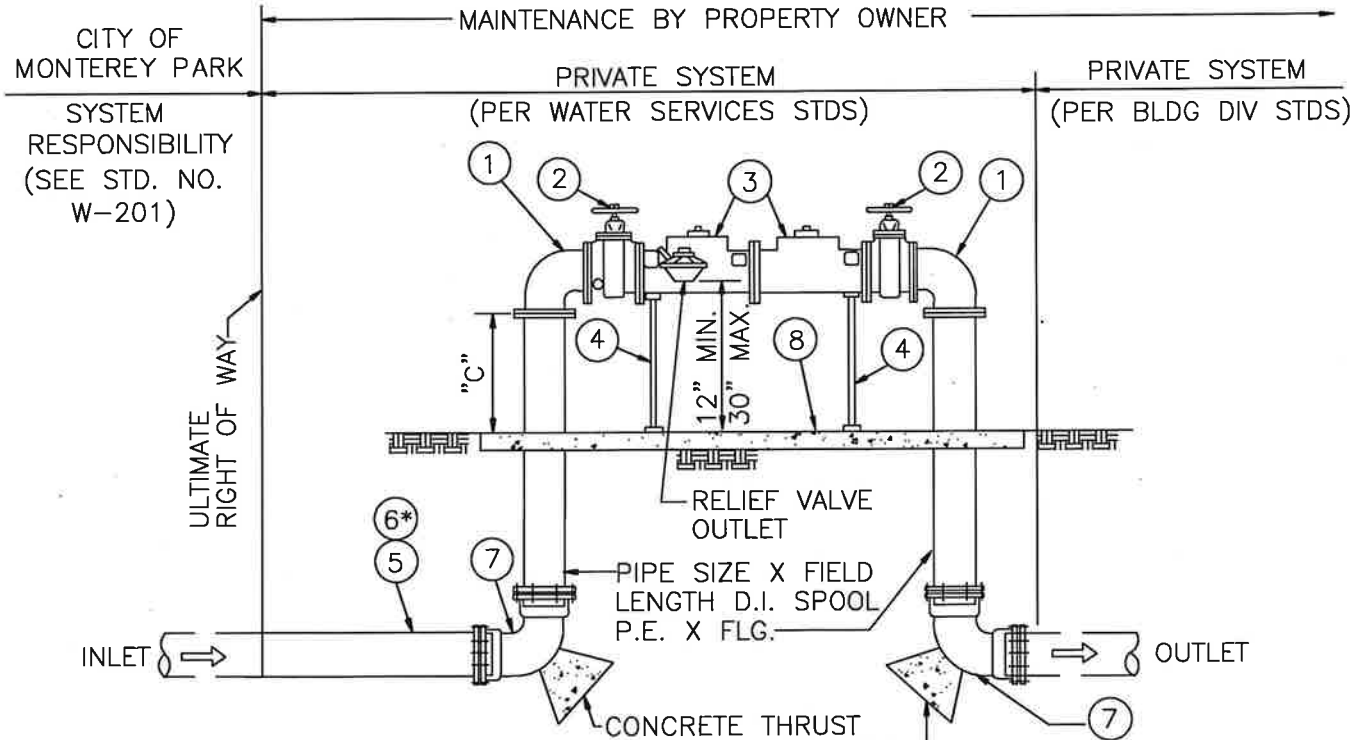


PLAN VIEW



ELEVATION VIEW

* FOR PVC OR PVCO WATER MAIN CONSTRUCTION ONLY - SEE ITEM 6* AND NOTES 5 AND 6 ON SHEET 2

REDUCED PRESSURE PRINCIPLE TYPE ASSEMBLY

CITY OF MONTEREY PARK
PUBLIC WORKS DEPARTMENT - WATER DIVISION

STANDARD NO.

W-221

RAWN	BY AM	DATE 10/02/24
REVISED	DZ	10/02/24
CHANGED	XX	XX/XX/XX

APPROVED
WATER UTILITY MANAGER

DATE

12/10/24

APPROVED
CITY ENGINEER

DATE

12/11/24

SHEET 1 OF 2

LIST OF MATERIAL

ITEM	DESCRIPTION
1	SR 90° BEND, D.I., FLG X FLG.
2	RESILIENT WEDGE VALVE, FLG X FLG, HAND WHEEL (SEE SECTION 2-06).
3	REDUCED PRESSURE PRINCIPLE TYPE BACKFLOW PREVENTER. THE BACKFLOW DEVICE SHALL BE LEAD FREE FOR DOMESTIC SERVICE.(SEE SECTION 5-01)
4	FLAT PIPE SUPPORT (SEE STD. NO. W-270).
5	PIPE SIZE X FIELD LENGTH D.I. SPOOL, P.E. X P.E.
6*	IN LIEU OF ITEM 5, PIPE SHALL BE AWWA C900 PVC OR AWWA C909 PVCO PIPE, CLASS 305, P.E.XP.E. (SEE NOTES 5 AND 6)
7	D.I. 90° BEND, M.J. X M.J. (2 TYP.), RESTRAINED PER SECTION 2-12.01
8	CONCRETE PAD 4" THICK, SIZE AS INDICATED HEREIN; CLASS 520-C-2500 CONCRETE

LATERAL SIZE	A	B (MAX)	C
2-1/2"	6'-6"	4'-0"	14"
3"	6'-6"	4'-0"	14"
4"	7'-0"	4'-3"	14"
6"	8'-6"	5'-3"	14"
8"	9'-6"	6'-4"	13.5"
10"	11'-6"	7'-5"	12"

NOTES:

- ALL PIPE SHALL BE DUCTILE IRON PER SECTION 2-01.
- ALL PIPE FITTINGS AND APPURTENANCES (GASKETS, NUTS, BOLTS, RESTRAINTS) SHALL COMPLY WITH SECTIONS 2-08 & 2-12.
- SEE STD. NO. W-207, SHEET 2, FOR ABOVE GROUND ASSEMBLY INSTALLATION REQUIREMENTS.
- THE COMPLETED ASSEMBLY SHALL BE PAINTED PER SECTION 2-14.
- PVC OR PVCO WATER MAIN CONSTRUCTION SHALL BE PRE-APPROVED BY THE UTILITY PER SECTION 2-02.
- MECHANICAL JOINT RESTRAINT FOR PVC OR PVCO PIPE SHALL BE PER SECTION 2-12.01.
- THE ULTIMATE RIGHT OF WAY SHALL BE DETERMINED BY PUBLIC WORKS

REDUCED PRESSURE PRINCIPLE TYPE ASSEMBLY

CITY OF MONTEREY PARK

PUBLIC WORKS DEPARTMENT-WATER DIVISION

STANDARD NO.

W-221

DRAWN	BY AM	DATE 10/02/24	APPROVED WATER UTILITY MANAGER	DATE 12/10/24
REVISED	DZ	10/02/24		
CHANGED	XX	XX/XX/XX	APPROVED CITY ENGINEER	DATE 12/11/24

SHEET 2 OF 2