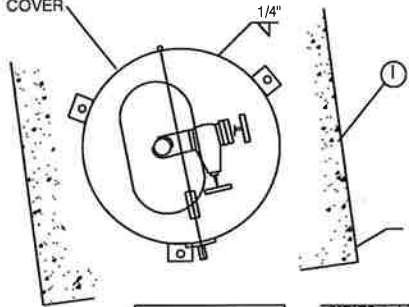
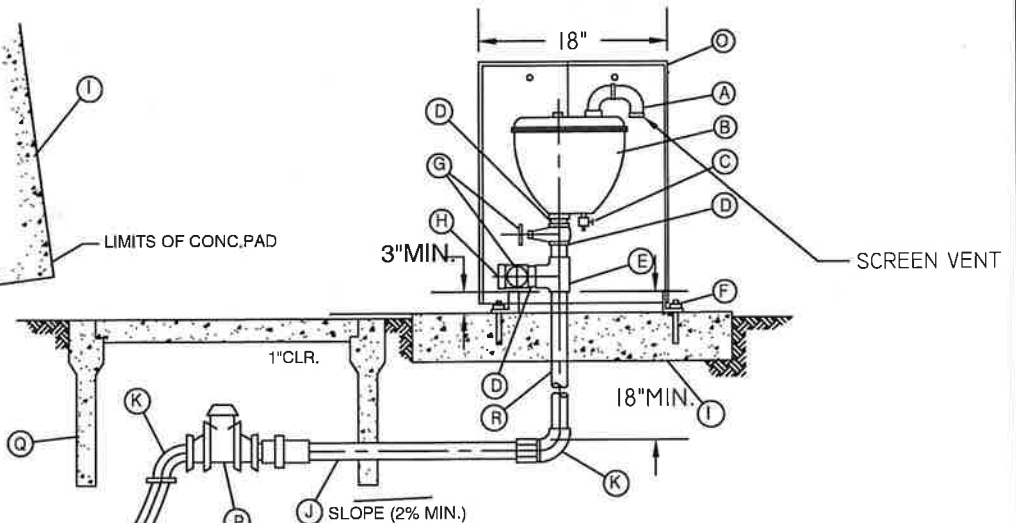


Ⓞ CONSULT WATER DIVISION FOR CURRENT PIPE LINE PRODUCTS NUMBER FOR COVER



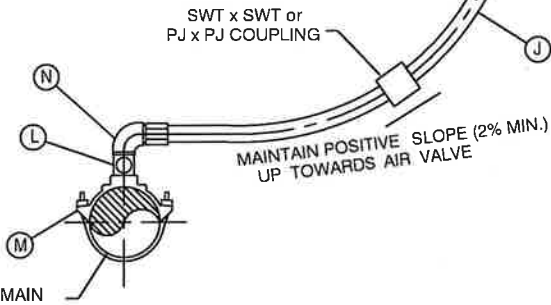
**PLAN**

NO SCALE



**SIDE ELEVATION**

NO SCALE



LEGEND:

DESCRIPTION	
(A) 2 EA. 90° STREET ELLS	(I) 6" THICK x 30" x 30" P.C.C. CONCRETE PAD
(B) COMB. AIR RELEASE & AIR VAC. VALVE, APCO HEAVY DUTY MODEL 145C OR APPROVED EQUAL.	(J) 2" BRASS NIPPLE OR 1" BRASS NIPPLE
(C) 1/2" HOSE BIB - 1/2" I.P.T. x 3/4" H.T.	(K) 2" BRASS ELBOW F.I.P. x F.I.P. OR 1"
(D) 2" x 3" BRASS NIPPLES OR 1" x 3" BRASS NIPPLES	(L) 2" CORPORATION STOP OR 1" CC X F.I.P.
(E) 2" x 2" BRASS TEE	(M) BRONZE DOUBLE STRAP SERVICE CLAMP WITH CC THREAD (OR WELDED COUPLING)
(F) 3/8" x 4" ANCHOR BOLTS - 3 REQUIRED	(N) 2" BRASS STREET 90° OR 1" BRASS STREET 90°
(G) 2" F.I.P. BRASS BALL VALVE OR 1" F.I.P. x F.I.P. BRASS BALL VALVE	(O) CONSULT WATER DIVISION FOR CURRENT PIPE LINE PRODUCTS # FOR COVER
(H) 2" x 2 1/2" INCREASER & 2 1/2" I.P.T. x 2 1/2" FIRE HOSE THREAD ADAPTER	(P) FORD BALL VALVE FIPT x PJ (B41-444)
	(Q) ARMORCAST PRODUCTS #66 METER VAULT OR CITY APPROVED EQUAL
	(R) 1" OR 2" COPPER TYPE K SOFT

**1" AIR RELEASE/AIR-VACUUM/COMBINATION-AIR VALVE ASSEMBLY**

**CITY OF MONTEREY PARK**

PUBLIC WORKS DEPARTMENT - WATER DIVISION

STANDARD NO.

**W-160**

DRAWN	BY AM	DATE 10/02/24	APPROVED WATER UTILITY MANAGER
REVISED	DZ	10/02/24	
CHANGED	XX	XX/XX/XX	APPROVED CITY ENGINEER

*[Signature]* DATE 12/10/24

*[Signature]* DATE 12/11/24

SHEET 1 OF 2

NOTES:

1. ASSEMBLIES INSTALLED AT EASEMENTS, ROADS AND STREETS WITHOUT CURBS SHALL BE PROTECTED WITH GUARD POSTS. POST CONSISTS OF 6" LENGTH OF 4" DIAM. STD. WET PIPE FILLED WITH GROUT. TOP OF POST SHALL BE 36" ABOVE FINISH SURFACE WITH 16" DIAM. CONCRETE FOOTING. POSITION POSTS 2' IN FRONT OF AND 2.5' EACH SIDE OF ASSEMBLIES.
2. ALL STEEL ENCLOSURE PARTS SHALL BE GALVANIZED AFTER FABRICATION.

**1" AIR RELEASE/AIR-VACUUM/COMBINATION-AIR VALVE ASSEMBLY**

**CITY OF MONTEREY PARK**

PUBLIC WORKS DEPARTMENT - WATER DIVISION

STANDARD NO.

**W-160**

DRAWN	BY AM	DATE 10/02/24	APPROVED WATER UTILITY MANAGER		DATE 12/10/24
REVISED	DZ	10/02/24			
CHANGED	XX	XX/XX/XX	APPROVED CITY ENGINEER		DATE 12/11/24

SHEET 2 OF 2