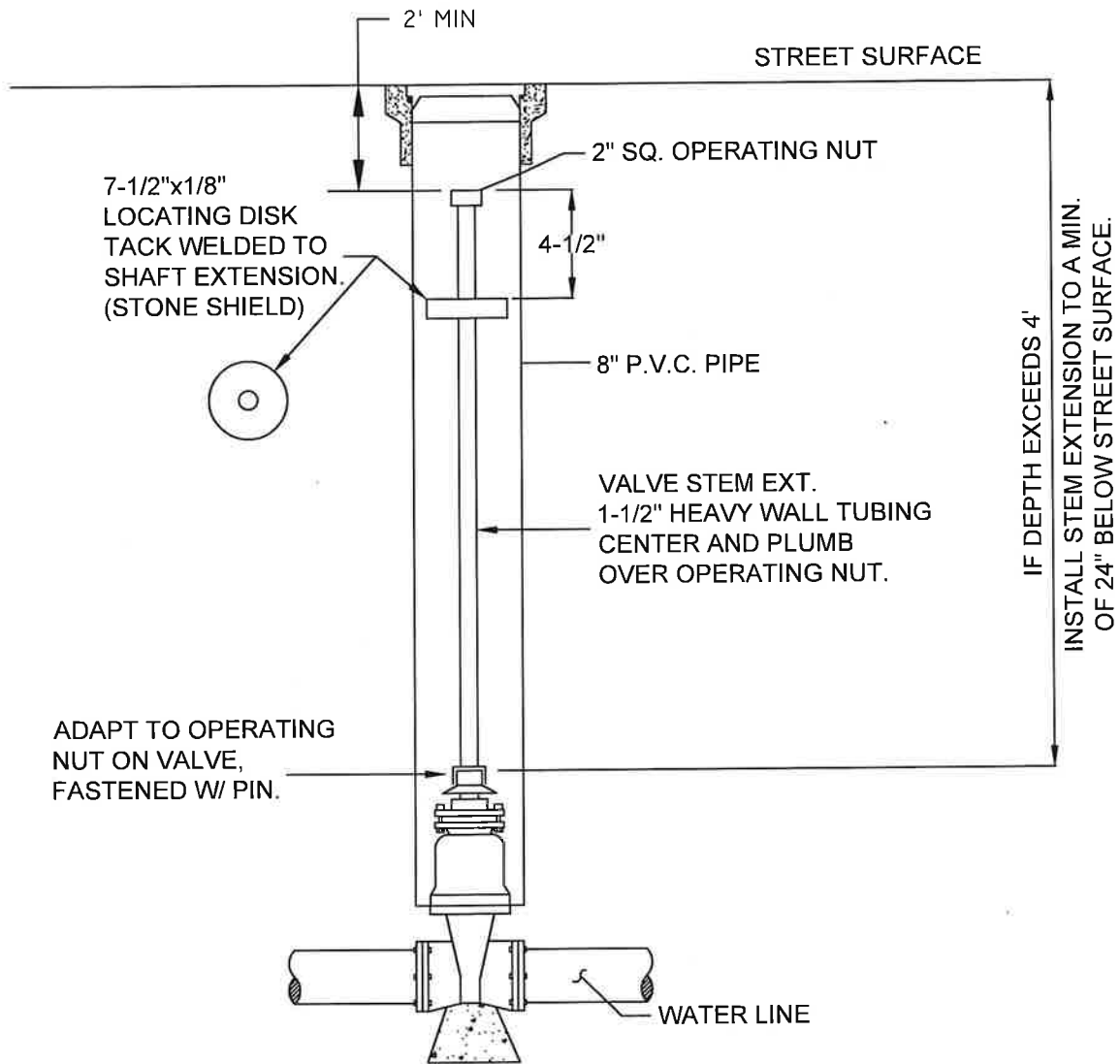


*SEE DRAWING W-150,
"STANDARD VALVE BOX
ASSEMBLY", FOR VALVE DETAILS



SIDE ELEVATION
NO SCALE

VALVE BOX AND STEM EXTENSION

CITY OF MONTEREY PARK
PUBLIC WORKS DEPARTMENT - WATER DIVISION

STANDARD NO.

W-151

DRAWN	BY	DATE
	AM	10/02/24
REVISED	DZ	10/02/24
CHANGED	XX	XX/XX/XX

APPROVED
WATER UTILITY MANAGER

[Signature]

DATE

12/10/24

APPROVED
CITY ENGINEER

[Signature]

DATE

12/11/24

SHEET 1 OF 1