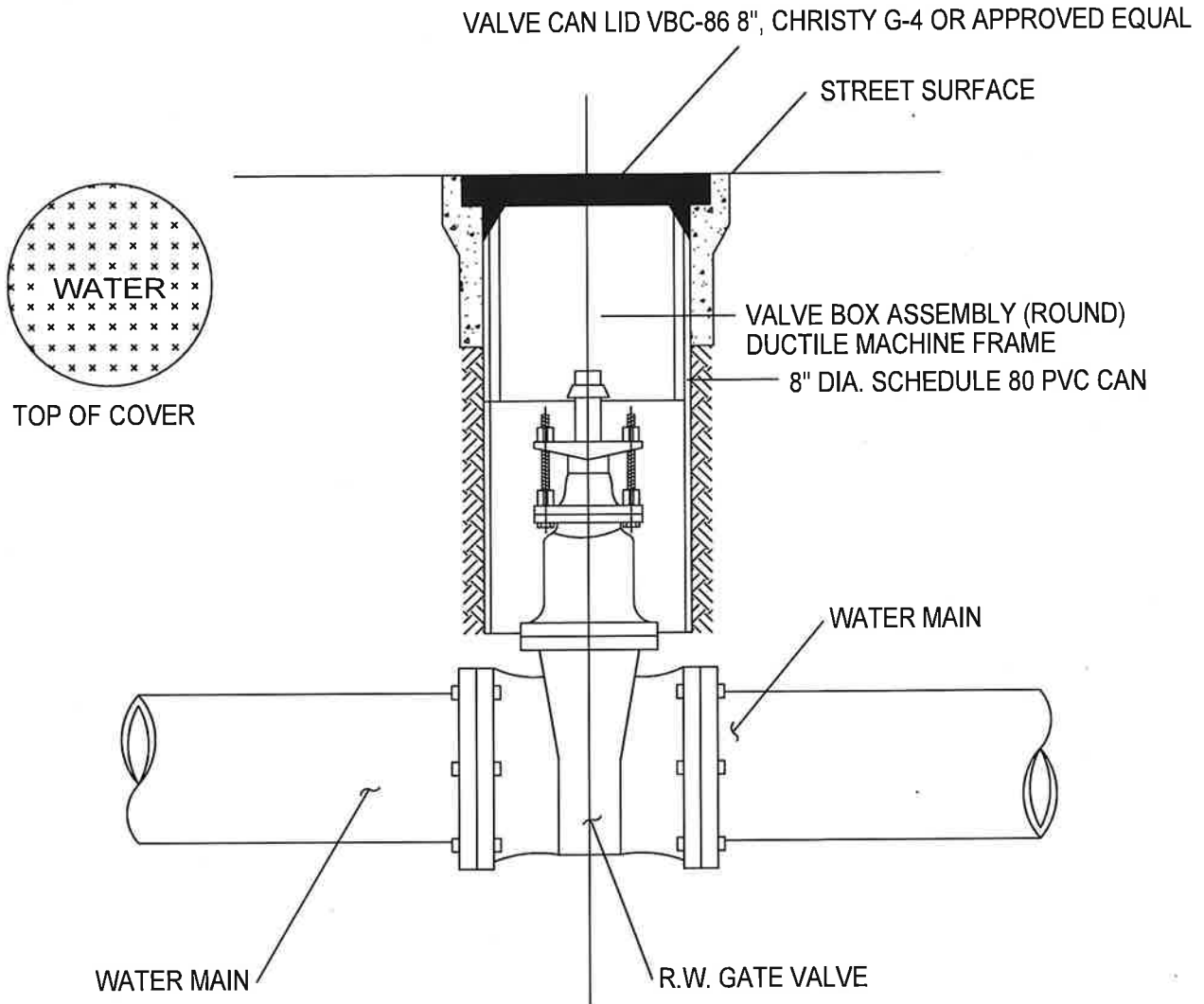


MINIMUM BACKFILL COMPACTION SHALL BE 90%



**SIDE ELEVATION**  
NO SCALE

NOTES:

1. 3" ASPHALT CAP SHALL BE HOT MIX TYPE PER PUBLIC WORKS
2. OPERATING NUT FOR BUTTERFLY VALVE SHALL BE PLACED NORTH OR EAST OF THE WATER MAIN

**STANDARD VALVE BOX ASSEMBLY**

**CITY OF MONTEREY PARK**

PUBLIC WORKS DEPARTMENT—WATER DIVISION

STANDARD NO.

**W-150**

	BY	DATE		
DRAWN	XX	XX/XX/XX	APPROVED WATER UTILITY MANAGER	<i>[Signature]</i> DATE 12/10/24
REVISED	XX	XX/XX/XX		
CHANGED	XX	XX/XX/XX	APPROVED CITY ENGINEER	<i>[Signature]</i> DATE 12/11/24

SHEET 1 OF 1