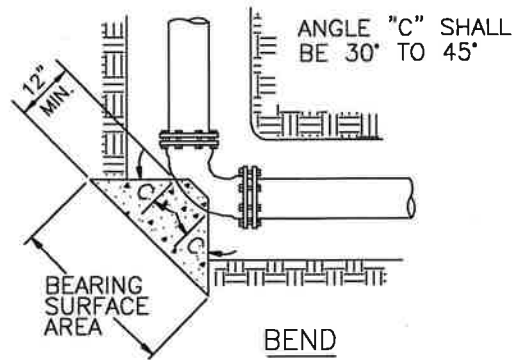
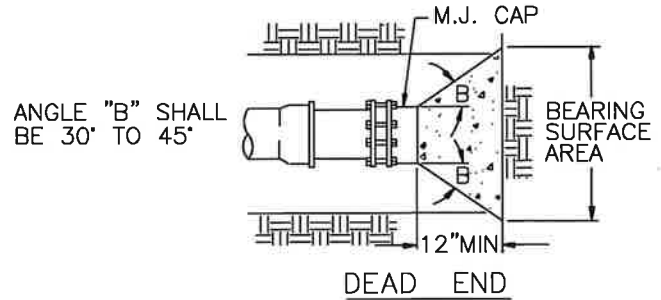


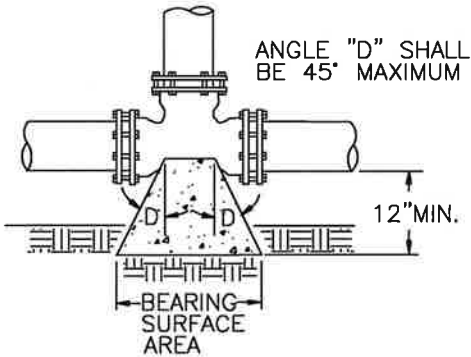
TYPICAL SECTION



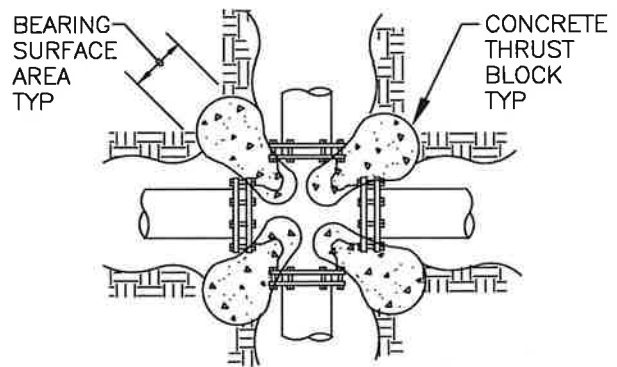
BEND



DEAD END



TEE AND TAPPING SLEEVES



CROSS

NOTES:

1. CONCRETE FOR THRUST BLOCK SHALL CONFORM TO SECTION XXX
2. CONCRETE SHALL BE POURED AGAINST UNDISTURBED SOIL.
3. CONCRETE SHALL HAVE 3" MINIMUM CLEARANCE AROUND ALL JOINTS.
4. BEARING SURFACE AREA REQUIREMENTS SHALL BE PER STD. NO. W-142 OR AS INDICATED ON CONSTRUCTION DRAWINGS.
5. THRUST BLOCKS FOR CROSS SHALL BE USED WHEREVER PIPE SIZES DIFFER OR WHEN ONE OR MORE OPENINGS ARE PLUGGED. SIZE WILL BE BASED ON THE LARGER MAIN.

TYPICAL THRUST BLOCK DETAILS (4" TO 16" DIA. FITTING)

CITY OF MONTEREY PARK

PUBLIC WORKS DEPARTMENT - WATER DIVISION

STANDARD NO.

W-140

	BY	DATE
DRAWN	XX	XX/XX/XX
REVISED	XX	XX/XX/XX
CHANGED	XX	XX/XX/XX

APPROVED
WATER UTILITY MANAGER

DATE

[Signature]
12/10/24

APPROVED
CITY ENGINEER

DATE

[Signature]
12/11/24

SHEET 1 OF 1