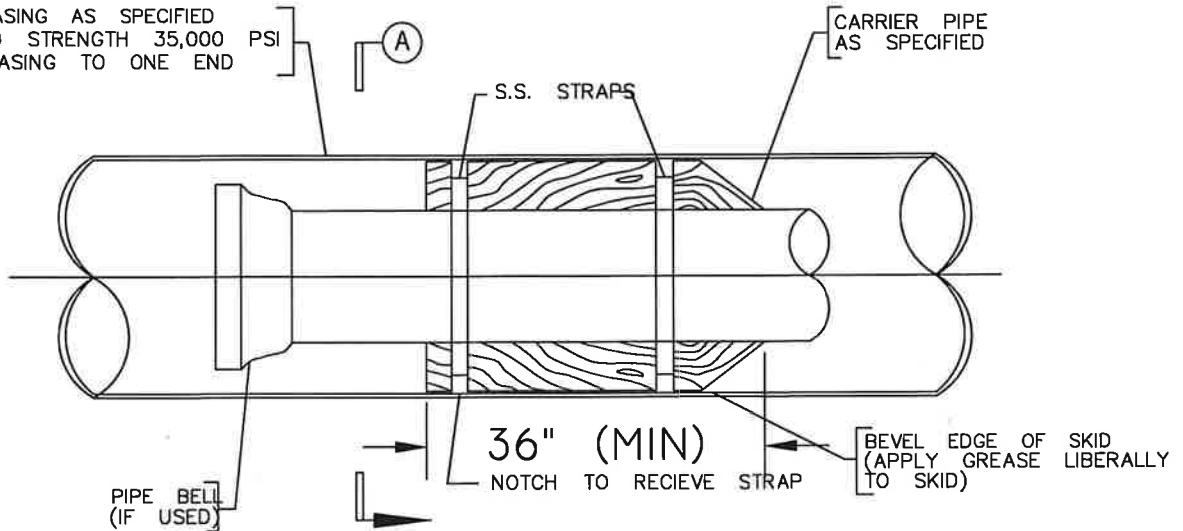


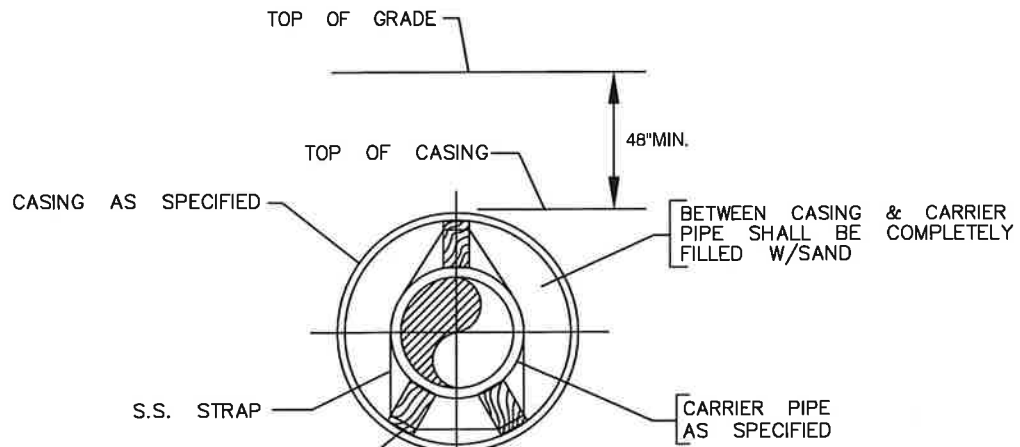
STEEL CASING AS SPECIFIED
 MIN. YIELD STRENGTH 35,000 PSI
 SLOPE CASING TO ONE END

CARRIER PIPE
 AS SPECIFIED



SIDE ELEVATION

NO SCALE



SECTION 'A'

NO SCALE

2" X 3" X 36" REDWOOD SKID (S4S)
 MIN. 2 SETS PER JOINT (MIN 10' SEP.)
 (DO NOT WEDGE SKID AGAINST CASING)

NOTES:

1. IF BORE HOLE IS GREATER THAN 1" LARGER THAN CASING O.D. OR IF VOIDS ARE CREATED THE SPACE SHALL BE FILLED BY GROUTING OR OTHER REMEDIAL MEASURES.
2. CASING ENDS SHALL BE SEALED WITH A 1 SACK SLURRY MIX AT ENDS ONLY OR BRICK & MORTAR.
3. CASING SHALL BE ELECTRICALLY ISOLATED FROM CARRIER PIPE.

TYPICAL CASING DETAIL

CITY OF MONTEREY PARK

PUBLIC WORKS DEPARTMENT - WATER DIVISION

STANDARD NO.

W-132

	BY	DATE
DRAWN	AM	10/02/24
REVISED	DZ	10/02/24
CHANGED	XX	XX/XX/XX

APPROVED
 WATER UTILITY MANAGER

DATE

12/10/24

APPROVED
 CITY ENGINEER

DATE

12/11/24

SHEET 1 OF 1