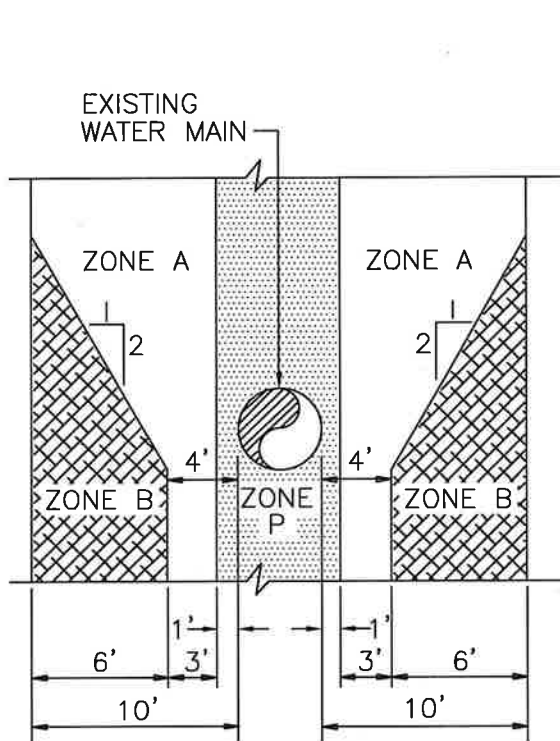
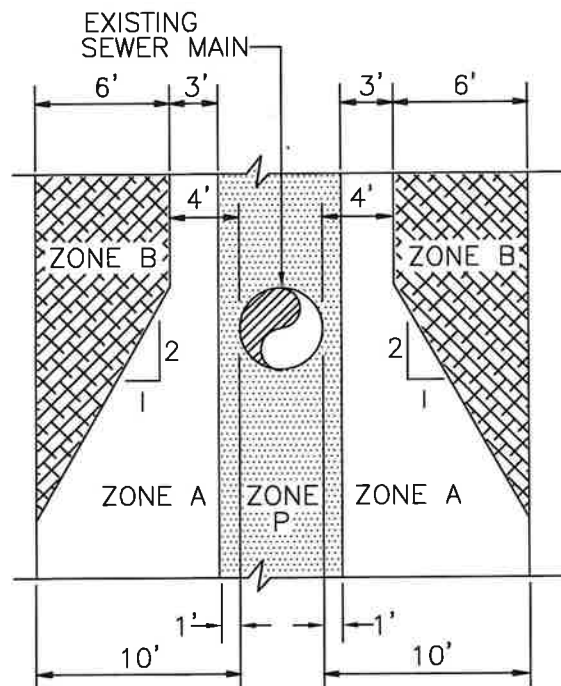


ZONE	NEW SEWER CONSTRUCTION	NEW WATER MAIN CONSTRUCTION
B	SEWER PIPE SHALL BE EXTRA STRENGTH V.C.P. WITH COMPRESSION JOINTS OR ALTERNATE MATERIAL AS APPROVED BY PUBLIC WORKS AND PUBLIC UTILITIES DEPARTMENT	WATER PIPE SHALL BE DIP, CLASS 52, WITH HOT DIP BITUMINOUS COATING PER SECT. 2-01 OR, UPON APPROVAL, PVC PIPE, CLASS 305 (DR 14 AWWA C900), SEE NOTE 4 ON W-130 SHEET 2 OF 4
A	NO CONSTRUCTION WITHOUT APPROVAL OF WATER UTILITY AND STATE WATER RESOURCES CONTROL BOARD, DIVISION OF DRINKING WATER (SWRCB-DDW)	
P	PROHIBITED ZONE PER SECTION 64572 CALIFORNIA CODE OF REGULATION, TITLE 22	



ZONES INDICATING LOCATIONS OF NEW SEWER



ZONES INDICATING LOCATIONS OF NEW WATER MAIN

PARALLEL CONSTRUCTION

NOTE: SPECIAL CONSTRUCTION SHOWN ABOVE ARE FOR GUIDELINES ONLY
SEE NOTES ON FOLLOWING SHEETS FOR ADDITIONAL REQUIREMENTS

WATER AND SEWER SEPARATION REQUIREMENTS

CITY OF MONTEREY PARK

PUBLIC WORKS DEPARTMENT-WATER DIVISION

STANDARD NO.

W-130

	BY	DATE
DRAWN	XX	XX/XX/XX
REVISED	XX	XX/XX/XX
CHANGED	XX	XX/XX/XX

APPROVED
WATER UTILITY MANAGER

[Signature]

DATE

12/10/24

APPROVED
CITY ENGINEER

DATE

12/11/24

SHEET 1 OF 4

NOTES:

1. SWRCB-DDW REGULATIONS REQUIRE THAT THE HORIZONTAL DISTANCE BETWEEN THE WATER MAIN AND THE SANITARY SEWER MAIN SHALL BE A MINIMUM OF 10-FT FROM OUTSIDE WALL-TO-OUTSIDE WALL.
2. FOR SITUATIONS IN WHICH THERE IS NO ALTERNATIVE BUT TO INSTALL WATER MAINS, SANITARY SEWER MAINS OR OTHER NON-POTABLE PIPELINES AT A DISTANCE LESS THAN THAT REQUIRED BY SWRCB-DDW REGULATIONS, THEN SPECIAL CONSTRUCTION AS SHOWN ON SHEET 1 OF 4 OF W-130, CAN BE USED AFTER REVIEW AND APPROVAL IN WRITING BY SWRCB-DDW
3. FORCE SEWER MAINS ARE NOT PERMITTED IN ZONES A OR B.
4. PVC WATER MAIN CONSTRUCTION SHALL BE PRE-APPROVED BY THE UTILITY PER SECTION 2-02. PVC PIPE LARGER THAN 12-INCH IN DIAMETER IS NOT ALLOWED.
5. INSTALLATION OF WATER MAINS, SANITARY SEWER MAINS, OR OTHER NON-POTABLE PIPELINES THAT DO NOT MEET THE MINIMUM SWRCB-DDW SEPARATION CRITERIA SHALL BE REVIEWED AND APPROVED IN WRITING BY SWRCB-DDW ON A CASE-BY-CASE BASIS PRIOR TO CONSTRUCTION.



WATER AND SEWER SEPARATION REQUIREMENTS

CITY OF MONTEREY PARK

PUBLIC WORKS DEPARTMENT - WATER DIVISION

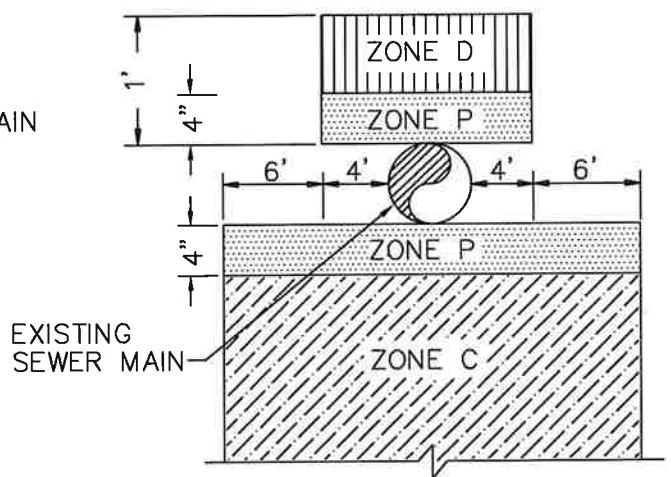
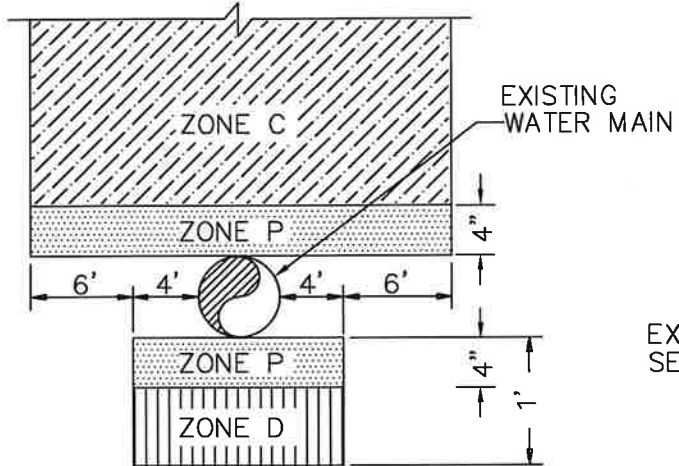
STANDARD NO.

W-130

	BY	DATE			DATE
DRAWN	XX	XX/XX/XX	APPROVED		12/10/24
REVISD	XX	XX/XX/XX	WATER UTILITY MANAGER		
CHANGED	XX	XX/XX/XX	APPROVED		12/11/24
			CITY ENGINEER		

SHEET 2 OF 4

ZONE	NEW SEWER CONSTRUCTION	NEW WATER MAIN CONSTRUCTION
C	NEW SEWER PIPE SHALL BE CENTERED OVER THE EXISTING WATER PIPE BEING CROSSED; SEWER PIPE SHALL BE A CONTINUOUS FULL LENGTH OF DIP WITH CERAMIC EPOXY LINING (PROTECTO 401 OR APPROVED EQUAL), OR, ALTERNATIVELY, ANY APPROVED SEWER PIPE MATERIAL WITHIN A CONTINUOUS CASING AS APPROVED BY PUBLIC WORKS	NEW WATER PIPE SHALL BE CENTERED UNDER THE EXISTING SEWER PIPE BEING CROSSED; WATER PIPE SHALL BE A CONTINUOUS FULL LENGTH OF DIP, CLASS 52, OR, UPON APPROVAL, A CONTINUOUS FULL LENGTH OF PVC PIPE, CLASS 305 (DR 14 AWWA C900), SEE NOTE 5 ON W-130, SHEET 4 OF 4
D	SEWER PIPE SHALL NOT HAVE JOINTS WITHIN 4-FT FROM EITHER SIDE OF WATER PIPE BEING CROSSED; SEWER PIPE SHALL BE A CONTINUOUS SECTION OF DIP WITH CERAMIC EPOXY LINING (PROTECTO 401 OR APPROVED EQUAL), OR, ALTERNATIVELY, ANY APPROVED SEWER PIPE MATERIAL WITHIN A CONTINUOUS CASING AS APPROVED BY PUBLIC WORKS	WATER PIPE SHALL HAVE NO JOINTS WITHIN 4-FT FROM EITHER SIDE OF SEWER PIPE BEING CROSSED; WATER PIPE SHALL BE A CONTINUOUS FULL LENGTH OF DIP, CLASS 52, OR UPON APPROVAL, A CONTINUOUS FULL LENGTH OF PVC PIPE, CLASS 305 (DR 14 AWWA C900), SEE NOTE 5 ON W-130, SHEET 4 OF 4
P	PROHIBITED ZONE PER SECTION 64572, CALIFORNIA CODE OF REGULATION, TITLE 22.	



ZONES INDICATING LOCATIONS OF NEW SEWER

ZONES INDICATING LOCATIONS OF NEW WATER MAIN

PERPENDICULAR CONSTRUCTION (CROSSING)

NOTE: SPECIAL CONSTRUCTION SHOWN ARE FOR GUIDELINES ONLY.
SEE NOTES ON FOLLOWING SHEET FOR ADDITIONAL REQUIREMENTS

WATER AND SEWER SEPARATION REQUIREMENTS

CITY OF MONTEREY PARK
PUBLIC WORKS DEPARTMENT—WATER DIVISION

STANDARD NO.
W-130
SHEET 3 OF 4

DRAWN	BY XX	DATE XX/XX/XX	APPROVED WATER UTILITY MANAGER	DATE 12/10/24
REVISD	XX	XX/XX/XX		
CHANGED	XX	XX/XX/XX	APPROVED CITY ENGINEER	DATE 12/11/24

NOTES:

1. SWRCB-DDW REGULATIONS REQUIRE THAT WATER MAINS BE INSTALLED A MINIMUM OF ONE (1) FOOT VERTICALLY ABOVE THE SANITARY SEWER MAINS.
2. FOR SITUATIONS IN WHICH THERE IS NO ALTERNATIVE BUT TO INSTALL WATER MAINS, SANITARY SEWER MAINS OR OTHER NON-POTABLE PIPELINES AT A DISTANCE LESS THAN THAT REQUIRED BY SWRCB-DDW REGULATIONS, THEN SPECIAL CONSTRUCTION SHOWN ON SHEET 3 OF 4 W-130, CAN BE USED AFTER REVIEW AND APPROVAL IN WRITING BY SWRCB-DDW.
3. FORCE SEWER MAINS ARE NOT PERMITTED IN ZONE C, AND IN ZONE D ONLY WITH SPECIAL CONSTRUCTION AS DETERMINED BY SWRCB-DDW
4. ALL WATER MAIN PIPE SHALL BE D.I.P. PER SECTION 2-01 AND SHALL RECEIVE A HOT DIP BITUMINOUS COATING.
5. PVC WATER MAIN CONSTRUCTION SHALL BE PRE-APPROVED BY THE UTILITY PER SECTION 2-02. PVC PIPE LARGER THAN 12-INCH DIAMETER IS NOT ALLOWED.
6. SEWER HOUSE LATERAL REPAIR CROSSING ABOVE A WATER MAIN SHALL BE CONTINUOUS 5-FT LENGTH VCP PIPE WITH FERNCO COUPLING OR APPROVED EQUAL.
7. WATER MAIN CROSSING BELOW AN EXISTING SEWER HOUSE LATERAL SHALL BE A CONTINUOUS FULL LENGTH PIPE CENTERED BELOW THE LATERAL.
8. INSTALLATION OF WATER MAINS, SANITARY SEWER MAINS, OR OTHER NON-POTABLE PIPELINES THAT DO NOT MEET THE MINIMUM SWRCB-DDW SEPARATION CRITERIA SHALL BE REVIEWED AND APPROVED IN WRITING BY SWRCB-DDW ON A CASE-BY-CASE BASIS PRIOR TO CONSTRUCTION.

WATER AND SEWER SEPARATION REQUIREMENTS

CITY OF MONTEREY PARK

PUBLIC WORKS DEPARTMENT-WATER DIVISION

STANDARD NO.

W-130

	BY	DATE		DATE
DRAWN	XX	XX/XX/XX	APPROVED WATER UTILITY MANAGER	<i>[Signature]</i> 12/10/24
REVISED	XX	XX/XX/XX		
CHANGED	XX	XX/XX/XX	APPROVED CITY ENGINEER	<i>[Signature]</i> 12/11/24

SHEET 4 OF 4