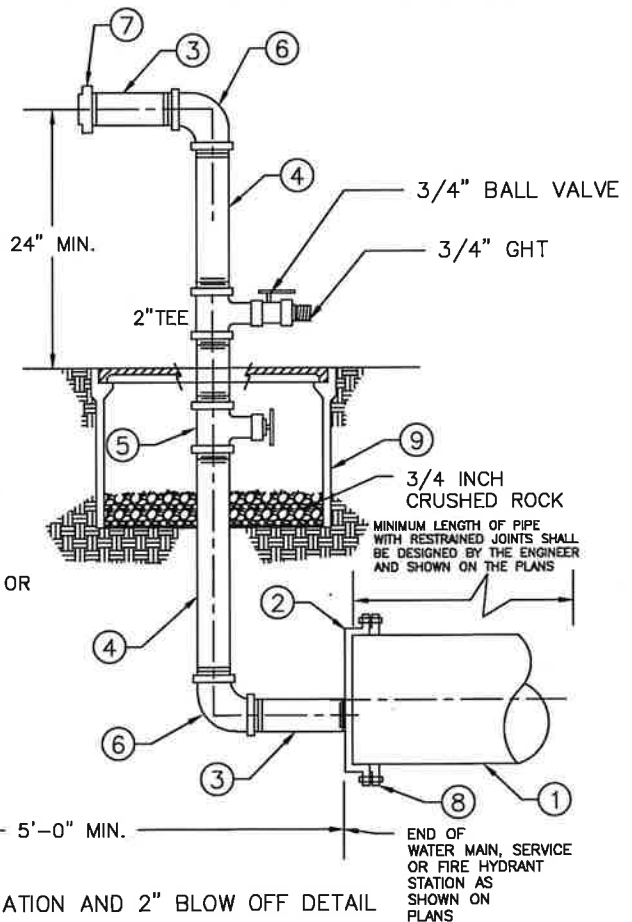


CASE 1 - TEST PLATE DETAIL

**BILL OF MATERIALS**

ITEM	QUANTITY
① WATER MAIN, SERVICE OR FIRE HYDRANT	PER PLAN
② MJ END CAP W/ 2" ECCENTRIC TAP	1
③ 2" - 12" LONG GALV STEEL PIPE (IPT)	2
④ 2" GALV STEEL PIPE (IPT)	6 LF ±
⑤ 2" VALVE (FIPT) PER SPECIFICATIONS	1
⑥ 2" - 90° GALV STEEL ELL, (FIPT)	2
⑦ 2" GALV END CAP (FIPT)	1
⑧ MAIN SIZE RESTRAINED MJ	1
⑨ METER BOX (TRAFFIC RATE LID AND BOX)	1

NOTE:  
1- CONTRACTOR SHALL LEAVE END CAP IN PLACE UNTIL FINAL CONNECTION IS APPROVED



CASE 2 - PHYSICAL SEPARATION AND 2" BLOW OFF DETAIL

TEST SET UP REQUIREMENTS FOR NEWLY INSTALLED WATER MAINS, LARGE METER SERVICES > 2 INCH, AND FIRE HYDRANTS-ALL EXCEEDING 18FT IN LENGTH

**CITY OF MONTEREY PARK**

PUBLIC WORKS DEPARTMENT-WATER DIVISION

STANDARD NO.

**W-126**

	BY	DATE
DRAWN	AM	10/02/24
REVISED	DZ	10/02/24
CHANGED	XX	XX/XX/XX

APPROVED  
WATER UTILITY MANAGER

APPROVED  
CITY ENGINEER

DATE

DATE

12/10/24

12/11/24

SHEET 1 OF 1