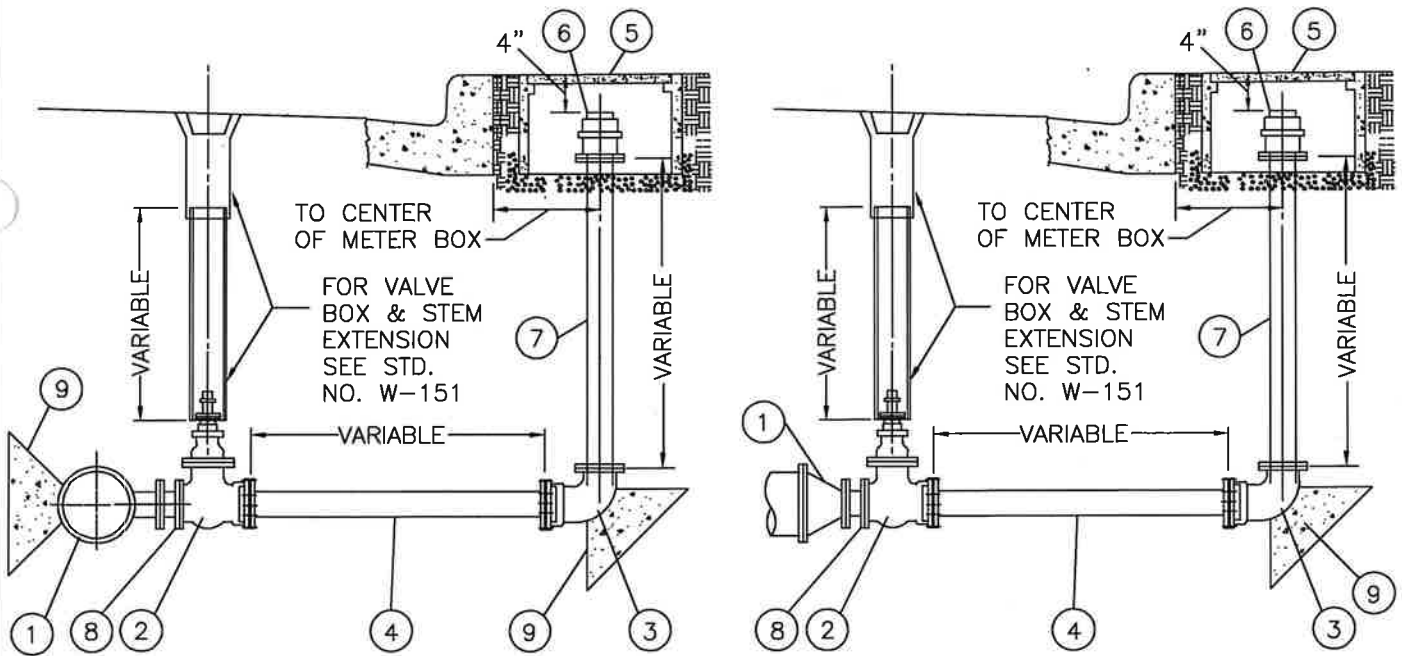


LIST OF MATERIAL

ITEM	DESCRIPTION
1	MAIN SIZE X 4" TEE, FLG X MJ, RESTRAINED, D.I. OR MAIN SIZE X 4" REDUCER, FLG X FLG
2	4" GATE VALVE, RESILIENT WEDGE, AWWA C509, FLG X MJ, RESTRAINED
3	4" D.I. 90° BEND, MJ, RESTRAINED X FLG
4	VARIABLE LENGTH 4" C900 PVC OR C909 PVC0, CLASS 305, RESTRAINED PER STD. NO W-139
5	METER BOX FOR 2" SERVICE PER SEC. 2-10.04 WITH ARMORCOAST, A6001643 COVER FOR PEDESTRIAN LOAD AND A6001947T FOR TRAFFIC LOAD, PLUS "BLOW-OFF" MARKING
6	4" FLG X 4" NST FIRE HOSE CONNECTION ADAPTER WITH 4" THREADED CAP
7	VARIABLE LENGTH 4" D.I. FLANGED SPOOL
*8	4" D.I. FLANGED SPOOL X LENGTH DESIGNATED ON PLAN. 8-5/8"φ X 2 3/4" LONG HEX. HEAD BOLTS W/ NUTS. 1-4" GASKET RUBBER RING.
9	CONCRETE THRUST BLOCK PER STD. NO. W-140 & W-142.

\*IF DESIGNATED ON PLAN

NOTE: INSTALL TRACER WIRE PER STD. NO W-609



IN-LINE BLOWOFF

END-OF-LINE BLOWOFF

4" BLOWOFF

**CITY OF MONTEREY PARK**

PUBLIC WORKS DEPARTMENT - WATER DIVISION

STANDARD NO.

**W-124**

	BY	DATE
DRAWN	AM	10/02/24
REVISED	DZ	10/02/24
CHANGED	XX	XX/XX/XX

APPROVED  
WATER UTILITY MANAGER

*[Signature]*  
*[Signature]*

DATE 12/10/24

APPROVED  
CITY ENGINEER

DATE 12/11/24

SHEET 1 OF 1