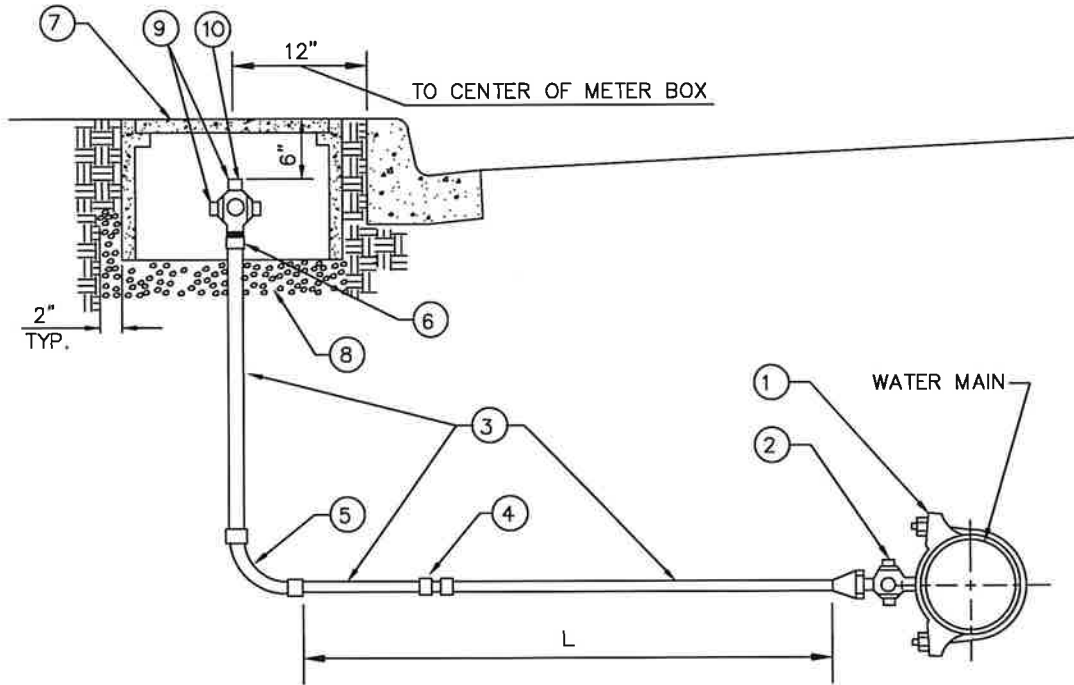


LIST OF MATERIAL

ITEM	DESCRIPTION	FORD	JONES	MUELLER	A.Y. MCDONALD
1	DOUBLE STRAP SERVICE SADDLE W/ CC (AWWA) THREAD	202B	J-979	BR2B SERIES	3825
1a	DOUBLE STRAP SERVICE SADDLE W/ CC (AWWA) THREAD PVC C900 & C909	202BS	J-969	BR2S SERIES	3855
2	CORPORATION STOP 2", KEY UP W/ CC (AWWA) THREAD (INSULATED)	-	E-1999SG	N-35008N	-
2a	CORPORATION STOP 2", KEY UP W/ CC (AWWA) THREAD (REGULAR)	FB1000- 7-G-NL	E-1937	P-25008N	74701B-22
3	2" COPPER TUBE, TYPE K, 20' LENGTHS				
4	COUPLING, COMPRESSION TYPE, USE WHEN L>20'				
5	SHORT RADIUS ELL, COMPRESSION TYPE				
6	COUPLING, COMPRESSION X FIP				
7	METER BOX FOR 2" SERVICE PER SECTION 2-10.04 WITH ARMORCAST, A6001643 COVER FOR PEDESTRIAN LOAD AND A6001947T FOR TRAFFIC LOAD, PLUS "BLOW-OFF" MARKING				
8	1/2" CRUSHED ROCK, 4" BASE				
9	CORPORATION STOP, 2"				
10	2" PLUG THREAD				



NOTES:

1. TAPS SHALL BE MADE AT LEAST 24" FROM ANY OTHER TAP, COUPLING, OR END OF MAIN.
2. IN AREAS WITHOUT CURB OR WITH ROLLED OR TYPE "F" CURB, USE TRAFFIC LOAD RATED COVER.

2" BLOWOFF ASSEMBLY - NON TRAFFIC BEARING

**CITY OF MONTEREY PARK**

PUBLIC WORKS DEPARTMENT-WATER DIVISION

STANDARD NO.

**W-121**

	BY	DATE
DRAWN	AM	10/02/24
REVISED	DZ	10/02/24
CHANGED	XX	XX/XX/XX

APPROVED  
WATER UTILITY MANAGER

DATE

APPROVED  
CITY ENGINEER

DATE

SHEET 1 OF 1