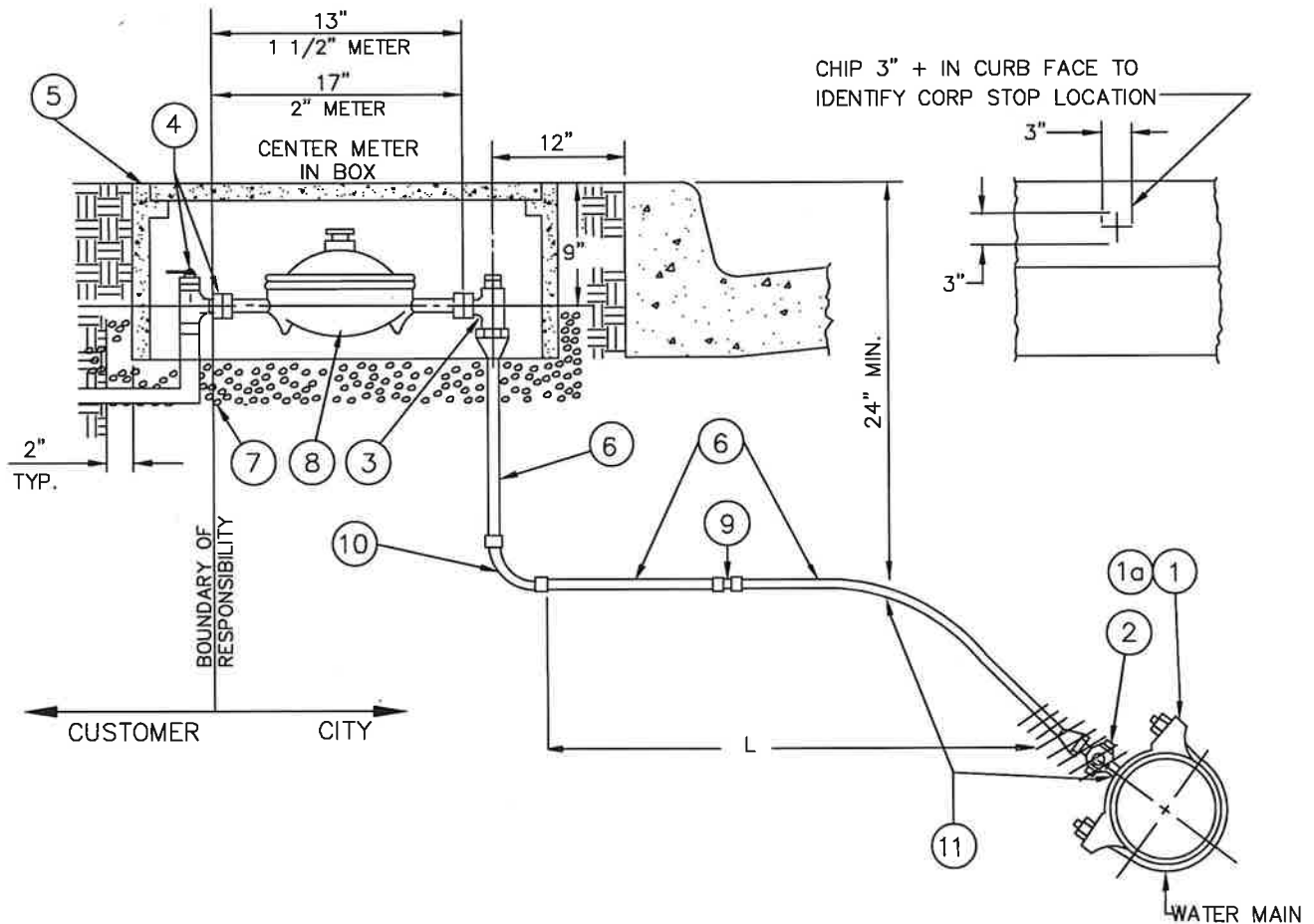


ITEM	DESCRIPTION	FORD	JONES	MUELLER	A.Y. MCDONALD
1	DOUBLE STRAP SERVICE SADDLE	202B	J-979	BR2B SERIES	3825
1a	DOUBLE STRAP SERVICE SADDLE (SEE NOTE 5)	202BS	J-969	BR2S SERIES	3855
2	CORPORATION STOP, 2" (INSULATED)	-	E-1999SG	N-35008N	-
2a	CORPORATION STOP, 2" (REGULAR)	FB1000-7-G-NL	E-1937	P-25008N	74701B-22
3	ANGLE METER STOP, 2"	BFA43-777WRQ-NL	E-1975W	B-24276-1-3-N	74612B-22
4	PROPERTY SIDE VALVE SHALL BE THE SAME SIZE AS THE METER AND REQUIRE A HANDLE	BFD13-777W-NL	E-1913WJ	B-24337-41-N	76101MW2
5	POLYMER CONCRETE METER BOX & LID (SEE SECTION 2-10.04)				
6	2" COPPER TUBE, TYPE K, SOFT				
7	1/2" CRUSHED ROCK, 4" BASE				
8	WATER METER (SEE SECTION 2-11)				
9	2" COMPRESSION COUPLING (USE WHEN L>20')				
10	2" BRASS ELL (LEAD FREE FOR DOMESTIC SERVICE). COMPRESSION TYPE				
11	TAPE WRAP MIN. DISTANCE OF 3 FEET TO INCLUDE CORP. STOP W/ POLKEN #900 OR APPROVED EQUAL				



2 INCH WATER SERVICE INSTALLATION

CITY OF MONTEREY PARK

PUBLIC WORKS DEPARTMENT—WATER DIVISION

STANDARD NO.

W-102

	BY	DATE
DRAWN	AM	10/02/24
REVISED	DZ	10/02/24
CHANGED	XX	XX/XX/XX

APPROVED
WATER UTILITY MANAGER

DATE 12/10/24

APPROVED
CITY ENGINEER

DATE 12/11/24

SHEET 1 OF 2

NOTES:

1. STANDARD 2" SERVICE IS USED FOR 1-1/2" METER AND 2" METER.
2. INSTALL CORPORATION STOP WITH KEY UP.
3. TAPS SHALL BE MADE AT LEAST 24" FROM ANY OTHER TAP OR COUPLING PER AWWA STANDARDS FOR THAT PIPE TYPE AND SIZE.
4. SERVICE SADDLE AND CORPORATION STOP SHALL BE CC (AWWA) THREAD.
5. FOR USE ON PVC OR PVCO WATER MAIN CONSTRUCTION ONLY. PVC OR PVCO WATER MAIN CONSTRUCTION SHALL BE PER SECTION 2-02.
6. A TRAFFIC LOAD RATING COVER SHALL BE USED IN AREAS WITHOUT CURB, IN AREAS WITH ROLLED OR TYPE "F" CURB, OR WHERE THE METER IS LOCATED WITHIN 5-FEET OF THE BCR, ECR OR A DRIVEWAY APPROACH PER DRAWING 2-10.04.
7. ANGLE METER STOPS SHALL BE PROVIDED WITH 360° TEE HEAD ROTATION & LOCK WING.
8. ONLY COPPER TUBING APPROVED WITHIN THE FIRST 10' AFTER THE WATER METER PROPERTY SIDE.
9. PROPERTY SIDE VALVE IS OWNED AND MAINTAINED BY THE PROPERTY OWNER.

2 INCH WATER SERVICE INSTALLATION

CITY OF MONTEREY PARK

PUBLIC WORKS DEPARTMENT - WATER DIVISION

STANDARD NO.

W-102

DRAWN	BY AM	DATE 10/02/24	APPROVED WATER UTILITY MANAGER		DATE 12/10/24
REVISED	DZ	10/02/24			
CHANGED	XX	XX/XX/XX	APPROVED CITY ENGINEER		DATE 12/11/24

SHEET 2 OF 2