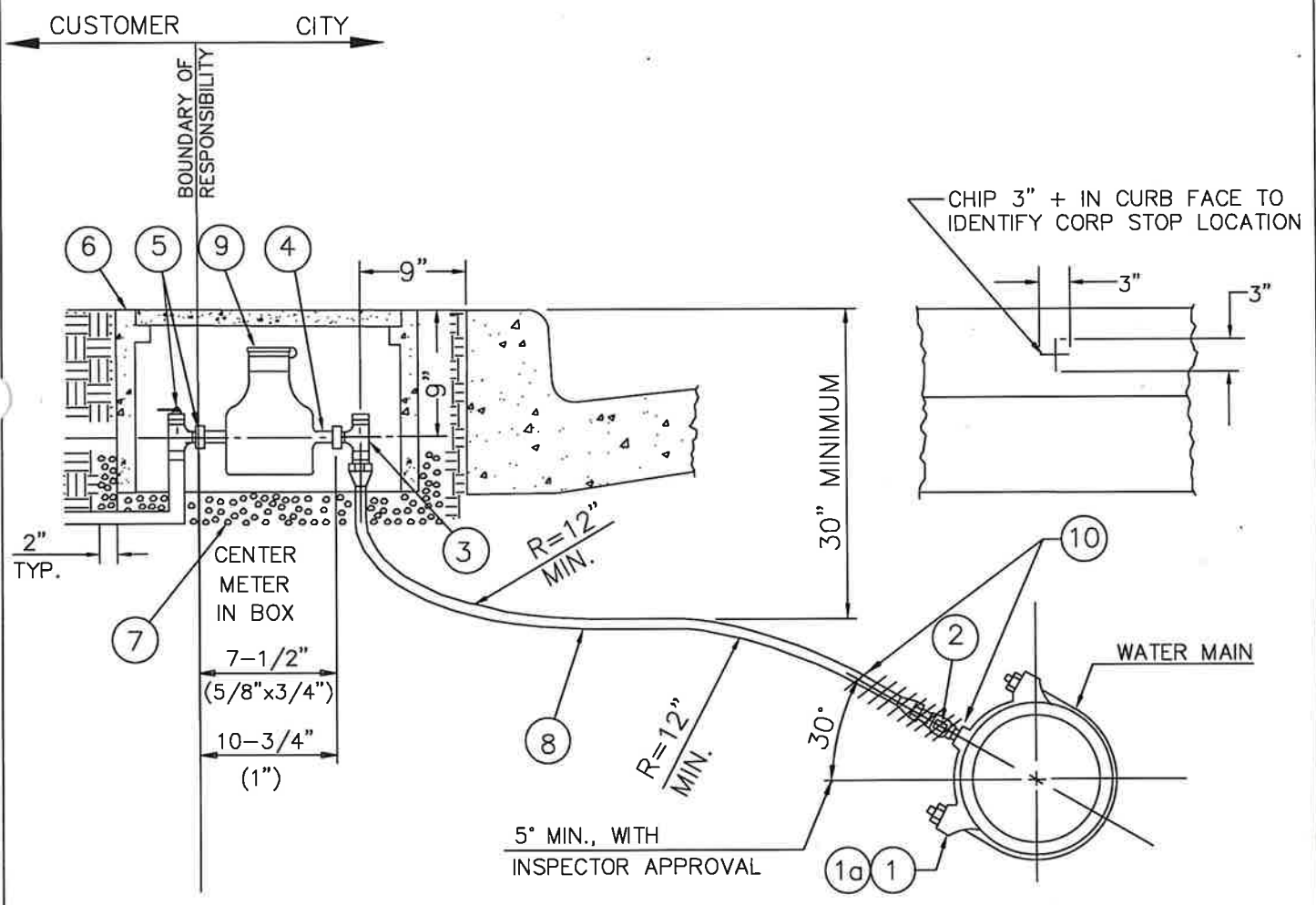


LIST OF MATERIAL					
ITEM	DESCRIPTION	FORD	JONES	MUELLER	A.Y. MCDONALD
1	DOUBLE STRAP SERVICE SADDLE	202B	J-979	BR2B SERIES	3825
1a	DOUBLE STRAP SERVICE SADDLE (SEE NOTE 5)	202BS	J-969	BR2S SERIES	3855
2	CORPORATION STOP, 1" (INSULATED)	-	E-1999SG	N-35008N	-
2a	CORPORATION STOP, 1" (REGULAR)	FB1000-4-G-NL	E-1937	P-25008N	74701B-22
3	ANGLE METER STOP, 1"	BA42-444WR-NL	E-1963WLS	P-24258N-3	
4	BUSHING, 1-1/4"x1" (FOR 5/8"x3/4" ONLY)	-	E-128H	-	-
5	PROPERTY SIDE VALVE SHALL BE THE SAME SIZE AS THE METER AND REQUIRE A HANDLE	B13444W-NL	E-1908	B24351-411-N	76101MW
6	POLYMER CONCRETE METER BOX & LID (SEE SECTION 2-10.04)				
7	1/2" CRUSHED ROCK, 4" BASE				
8	1" COPPER TUBE, TYPE K (NO SPLICES ALLOWED), SOFT				
9	WATER METER (SEE SECTION 2-11)				
10	TAPE WRAP MIN. DISTANCE OF 3 FEET TO INCLUDE CORP. STOP W/ POLKEN #900 OR APPROVED EQUAL				



**1 INCH WATER SERVICE INSTALLATION**

**CITY OF MONTEREY PARK**

PUBLIC WORKS DEPARTMENT-WATER DIVISION

	BY	DATE
DRAWN	AM	10/02/24
REVISED	DZ	10/02/24
CHANGED	XX	XX/XX/XX

APPROVED  
WATER UTILITY MANAGER

*[Signature]*  
*[Signature]*

DATE 12/10/24

APPROVED  
CITY ENGINEER

DATE 12/11/24

STANDARD NO.

**W-101**

SHEET 1 OF 2

NOTES:

1. STANDARD 1" WATER SERVICE IS USED FOR 3/4" AND 1" METERS.
2. INSTALL CORPORATION STOP WITH KEY UP.
3. TAPS SHALL BE MADE 18" FROM ANY OTHER TAP OR COUPLING DEPENDING ON AWWA STANDARDS FOR THAT PIPE TYPE AND SIZE.
4. SERVICE SADDLE AND CORPORATION STOP SHALL BE CC (AWWA) THREAD
5. FOR USE ON PVC OR PVCO WATER MAIN CONSTRUCTION ONLY. PVC OR PVCO WATER MAIN CONSTRUCTION SHALL BE PER SECTION 2-02.
6. COPPER TUBE TO BE ONE CONTINUOUS PIECE. NO SPLICES PERMITTED.
7. ANGLE METER STOPS SHALL BE PROVIDED W/ 360° TEE HEAD ROTATION & LOCK WING
8. A TRAFFIC LOAD RATED COVER SHALL BE USED IN AREAS WITHOUT CURB, IN AREAS WITH ROLLED OR TYPE "F" CURB, OR WHERE THE METER IS LOCATED WITHIN 5-FEET OF THE BCR, ECR OR A DRIVEWAY APPROACH.  
REFER TO STD 2-10.04
9. ONLY COPPER TUBING APPROVED WITHIN THE FIRST 10' AFTER THE WATER METER PROPERTY SIDE.
10. PROPERTY SIDE VALVE IS OWNED AND MAINTAINED BY THE PROPERTY OWNER.


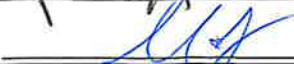
1 INCH WATER SERVICE INSTALLATION

**CITY OF MONTEREY PARK**

PUBLIC WORKS DEPARTMENT—WATER DIVISION

STANDARD NO.

**W-101**

DRAWN	BY AM	DATE 10/02/24	APPROVED WATER UTILITY MANAGER		DATE 12/10/24
REVISED	DZ	10/02/24	APPROVED CITY ENGINEER		DATE 12/11/24
CHANGED	XX	XX/XX/XX			

SHEET 2 OF 2